

600S TELESCOPIC BOOM LIFTS

Platform

- 0.91 m x 1.83 m low mount platform
- Side entry with drop bar mid rail
- Multiple function operation
- Full proportional drive joystick control with integral thumb steer switch
- Full proportional main boom and swing joystick control
- Multiple speed control for telescope and platform rotate
- Selectable creep speed on drive / lift and swing functions
- 160 degree powered platform rotator
- Platform console machine status light panel ¹
- Load sensing system
- AC cable to platform

Power & Transmission

- Deutz D2011-L03 (36.4 kW) diesel engine
- Engine distress warning/shut down system ²
- Gull-wing hoods
- Swing-out engine tray
- Spark arresting type muffler
- Control ADE® - Advanced Design Electronics System
- Hydrostatic drive transmission
- Horn

Functional Equipment & Accessories

- 3 degree tilt alarm and indicator light
- 39 x 15-22.5 foam filled lug tread tyres
- Lifting/tie down lugs
- Hour meter
- Ground control selector switch with key lock
- Platform tool tray
- 12V DC auxiliary power

Available Options

- 0.91 m x 2.44 m low mount platform
- Side entry with inward swing gate
- 13 mm air line to platform
- Four wheel drive
- Four Wheel Steer/Two Wheel Steer/Crab Steer
- 15 x 19.5 foam filled non marking tyres
- Oscillating front axle
- On-board 4,000 W generator
- SkyPower® package 7,500 watt on-board generator
- SkyWelder® package 250 amp welder in the platform ³
- Nite-Bright® package ⁴
- Tow Package ⁵
- All motion alarm
- Alarm package ⁶
- Light package ⁷
- Head and tail lights
- Flashing amber beacon
- Plugs & Sockets
- Hostile environment package ⁸
- Hydraulic oil cooler
- Catalytic Purifier Muffler
- Soft Touch Proximity System
- Corner storage tray



¹ Provides indicator lights at platform control console for system distress, low fuel, tilt light, and foot switch status.

² Low oil pressure and high coolant temperature alarms with shut-down enabled/disabled by analyser.

³ Available when integrated with the SkyPower® package.

⁴ Consists of six 40-watt lights, four turntable mounted lights and two platform mounted lights.

⁵ Available only with two wheel drive on models 600S and 660SJ.

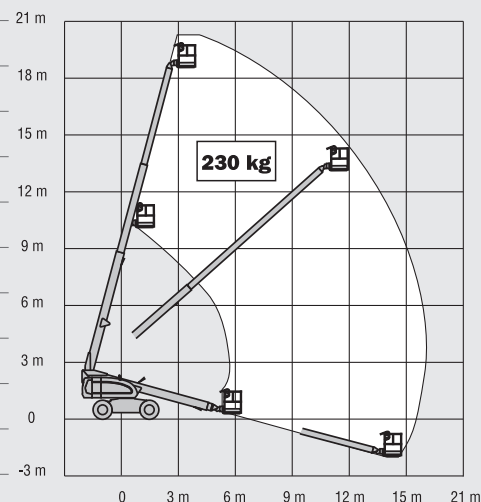
⁶ Includes all-motion alarm and flashing amber beacon.

⁷ Includes platform mounted work lights and head & tail lights.

⁸ Includes console cover, boom wipers and cylinder bellows.

600S TELESCOPIC BOOM LIFTS

Platform Height	18.36 m
Horizontal Outreach	15.09 m
Swing (Continuous)	360°
Platform Capacity – Unrestricted	230 kg
Platform Rotator (Hydraulic)	160°
A. Platform Size	0.91 m x 1.83 m
B. Overall Width	2.49 m
C. Tailswing (working condition)	1.14 m
D. Stowed Height	2.57 m
E. Overall Length	8.65 m
F. Stowed Length	8.51 m
G. Wheelbase	2.48 m
H. Ground Clearance	0.30 m
Machine weight ¹	10,800 kg
Maximum Ground Bearing Pressure	4.70 kg/cm ²
Maximum Tyre Load	5,354 kg
Drive Speed 2WD	6.8 km/h
Drive Speed 4WD	6.8 km/h
Gradeability 2WD	30%
Gradeability 4WD	45%
Tyres	39 x 15-22.5 Foam Filled
Axle Oscillation (optional)	0.20 m
Turning Radius – Inside 2WS	2.23 m
Turning Radius – Inside 4WS	1.40 m
Turning Radius – Outside 2WS	5.36 m
Turning Radius – Outside 4WS	2.89 m
Diesel Engine Deutz D2011L03	36.4 kW
Fuel Tank Capacity	151 L
Hydraulic System	151 L
Auxiliary Power	12V DC

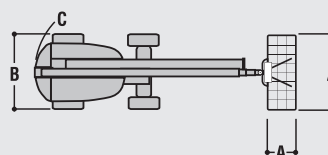
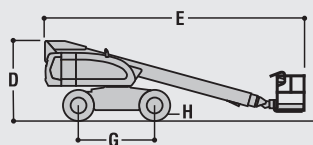


JLG Industries, Inc. is a leading designer and manufacturer of access equipment and complementary services and attachments.

JLG has manufacturing facilities in the United States, France, Romania, China and Belgium. Customers throughout Europe, Scandinavia, Africa and the Middle East benefit from a network of dedicated sales and service operations designed to deliver the highest levels of support.

JLG is an Oshkosh Corporation company.

www.jlgeurope.com



¹ Certain options or country standards may increase weight and/or dimensions.